

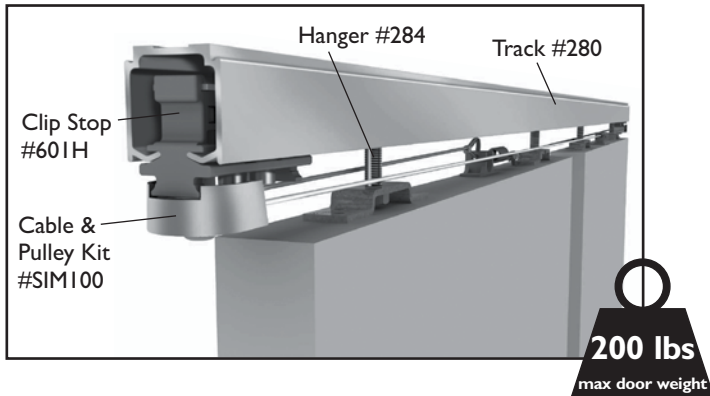
# SIM200A Series Installation Instructions

800-824-3018 • www.pemko.com

## Door Leaf Capacity - Up to 200 lbs.

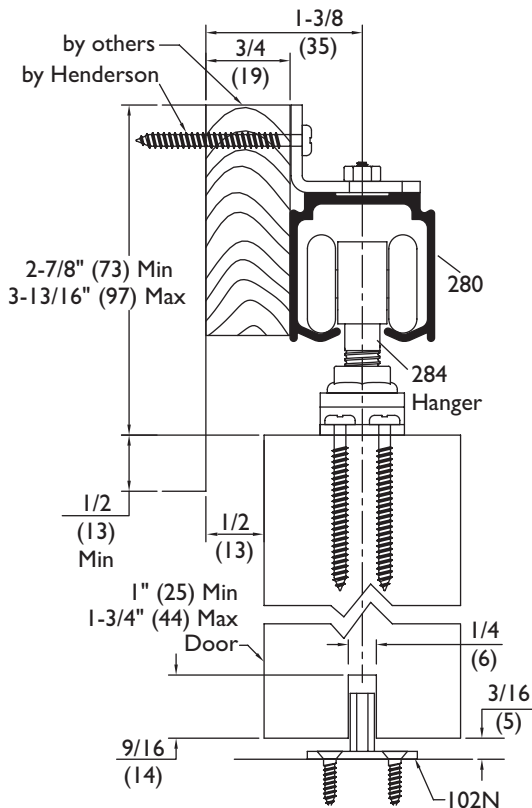
Manufactured by

# HENDERSON

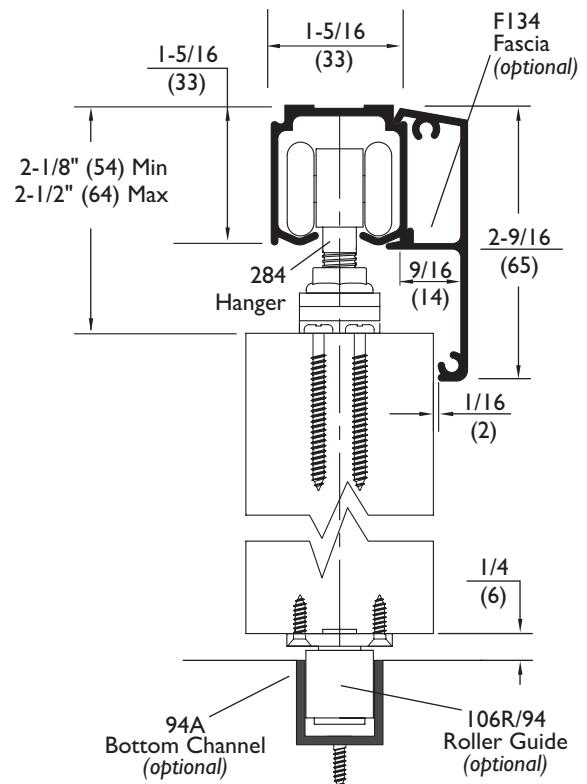


Kit No.	Material	Max Leaf Size
SIM200A/6	aluminum track / 6'	2 @ 18" x 96" x 2"
SIM200A/8	aluminum track / 8'	2 @ 24" x 96" x 2"
SIM200A/12	aluminum track / 2 @ 6'	2 @ 36" x 96" x 2"
SIM200A/16	aluminum track / 2 @ 8'	2 @ 48" x 96" x 2"

### 280A Side Wall Mounted

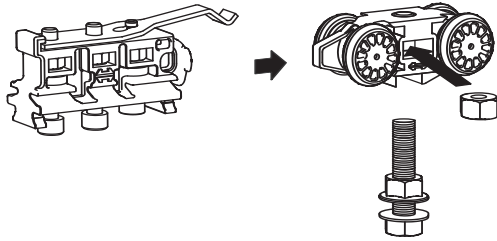


### 280A Soffit Mounted with Fascia



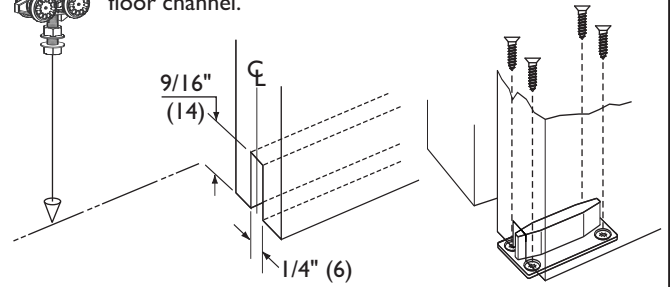
# INSTALLATION INSTRUCTIONS

**1** Assemble hanger and retaining stop.

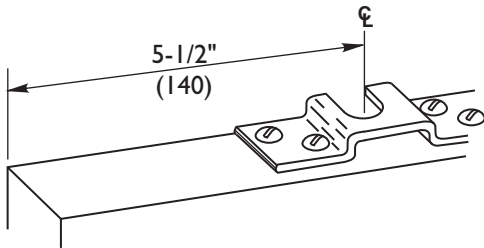


**2** Mortise door and fit door guide.

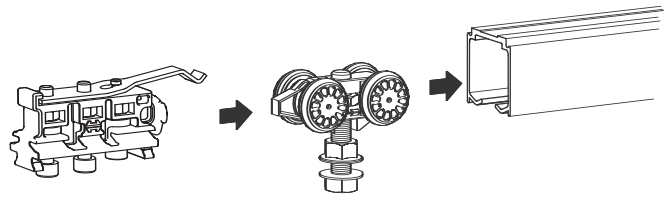
Attach a plumb line to hanger. Place hanger inside track. Using plumb line, mark the centerline of floor channel.



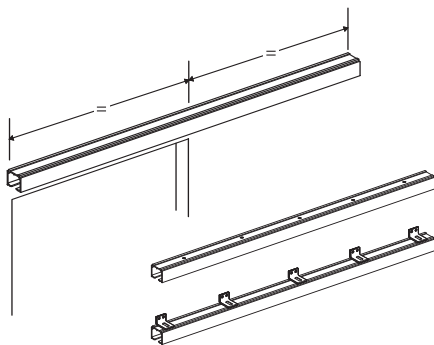
**3** Fit hanger apron to door panel.



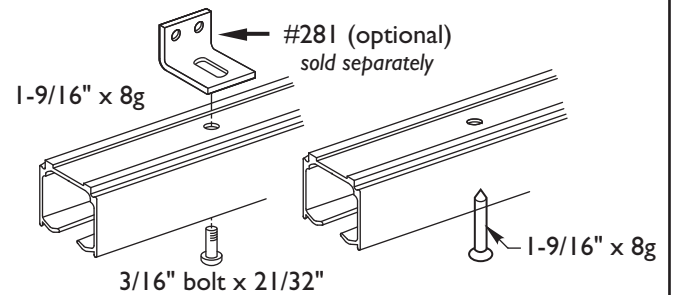
**4** Insert hangers and retaining stop.



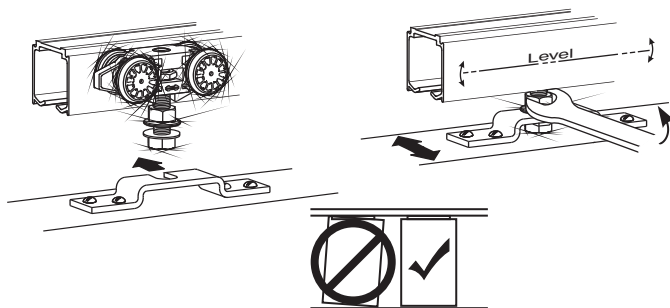
**5** Fit track stop & secure track.



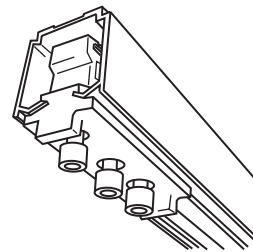
**6** Secure track.



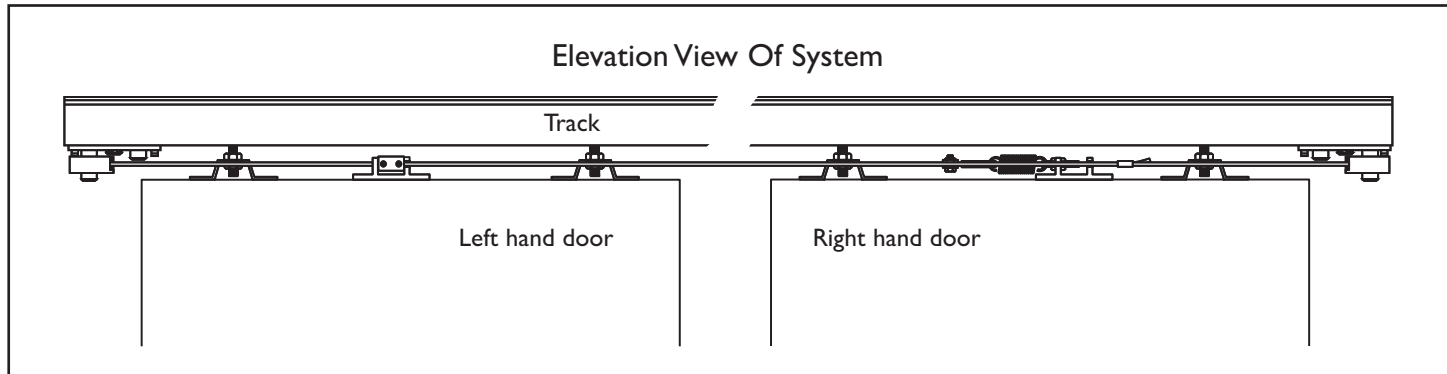
**7** Attach door panel and adjust until level.



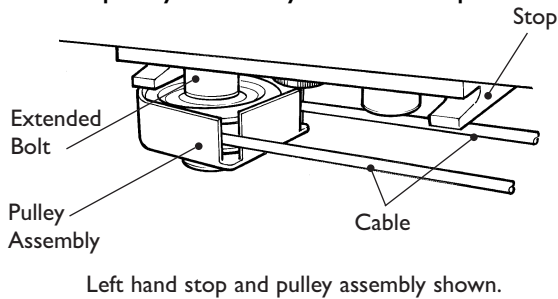
**8** Position and secure retaining stop.



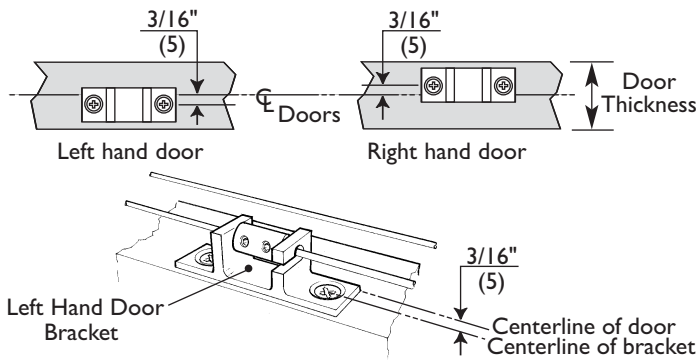
# SIMI00 PULLEY & CABLE KIT INSTALLATION INSTRUCTIONS:



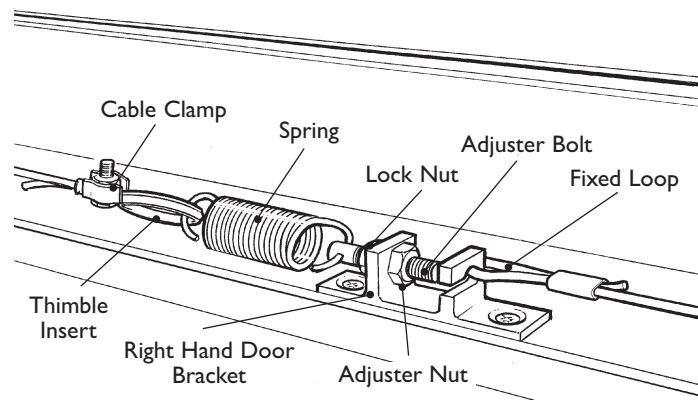
- 1** Remove last bolt from both stops at each end of track and replace with extended bolt with pulley assembly to both stops.



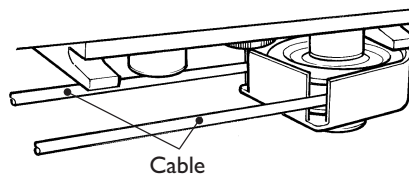
- 2** Disconnect doors from sliding gear and fit brackets to top of doors as shown. Re-hang doors.



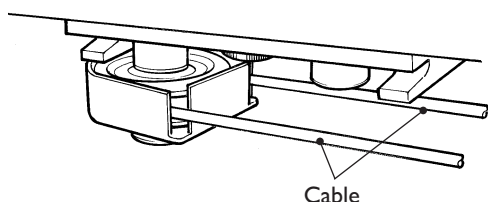
- 3** Hook the fixed loop end of cable to right hand door bracket.



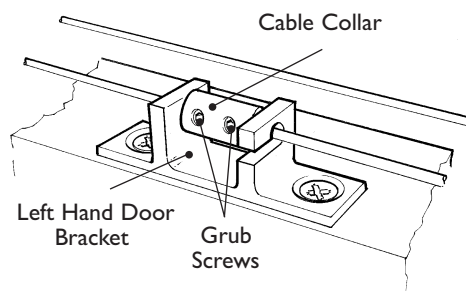
- 4** Feed cable through right hand pulley wheel. Ensure cable traveling in and out of the pulley runs parallel.



- 5** Feed cable through left hand pulley wheel. Ensure cable traveling in and out of the pulley runs parallel.

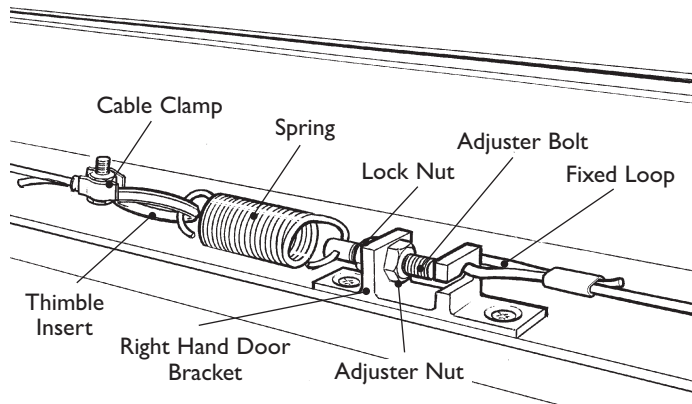


- 6** Place cable collar into left hand door bracket. Thread cable through collar. Do not tighten grub screws.

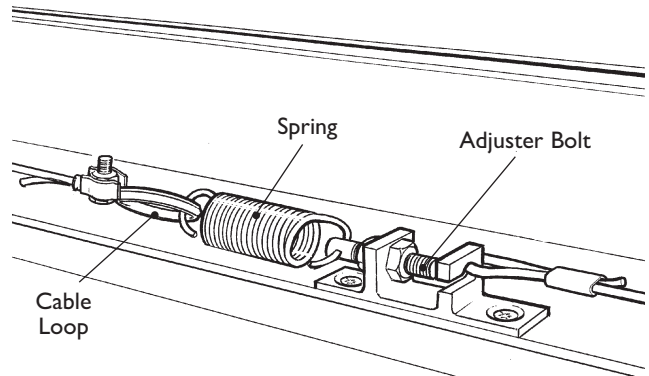


## SIMI00 PULLEY & CABLE KIT INSTALLATION INSTRUCTIONS:

- 7** Hold cable with small amount of tension. Thread cable clamp onto the cable. Form a loop and insert thimble into loop. Feed end of cable back through cable clamp to hold loop shape.

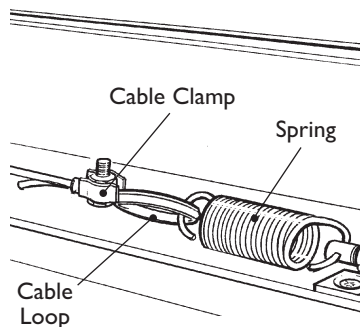


- 8** Fit adjuster bolt onto the right hand door bracket. Hook spring onto the adjuster bolt and hook cable loop onto the other end of the spring.

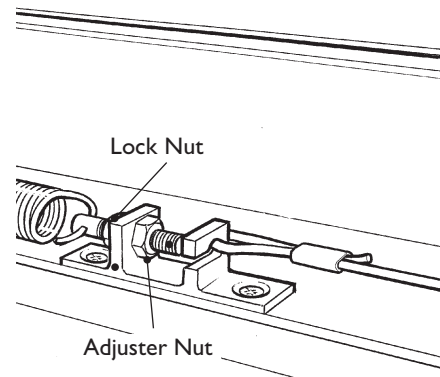


Right hand door shown.

- 9** Pull excess cable through cable clamp until the spring starts to pull back. Tighten the cable clamp nut to secure the cable loop. Cut off any excess cable.



- 10** Adjust the adjuster nut to tension cable to eliminate sag. Lock off the lock nut.



- 11** Position doors to be centered within opening. Tighten grub screws in cable collar. Test operation of system to ensure correct installation.

